

Hillmar

Hillmar Industries Ltd.

7371 Vantage Way
Delta, BC V4G 1C9
P:604 946-7115 F:604 946-0329
info@hillmar.com www.hillmar.com

CABLE REEL EN4 FO
EN4-0610KV-4R5R-FO
FIBER OPTIC ENCLOSURE
SLS & MKTG
ENGLISH

Sheet Number:

Job Number:

Form Number:
629-826-89175PT

Company / Project Reference:

Date.:

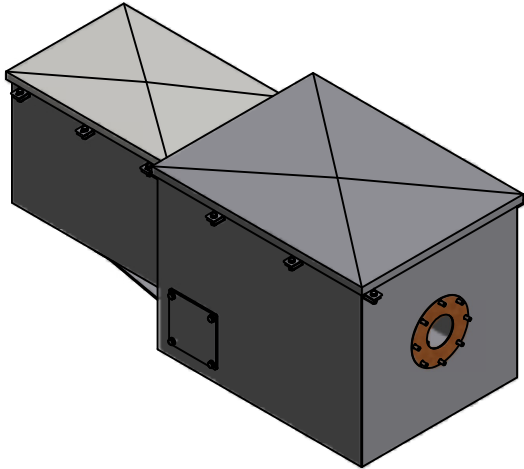
Page.:

1 OF 1

Document Package No.:

Rev.:

Inventor Drawing

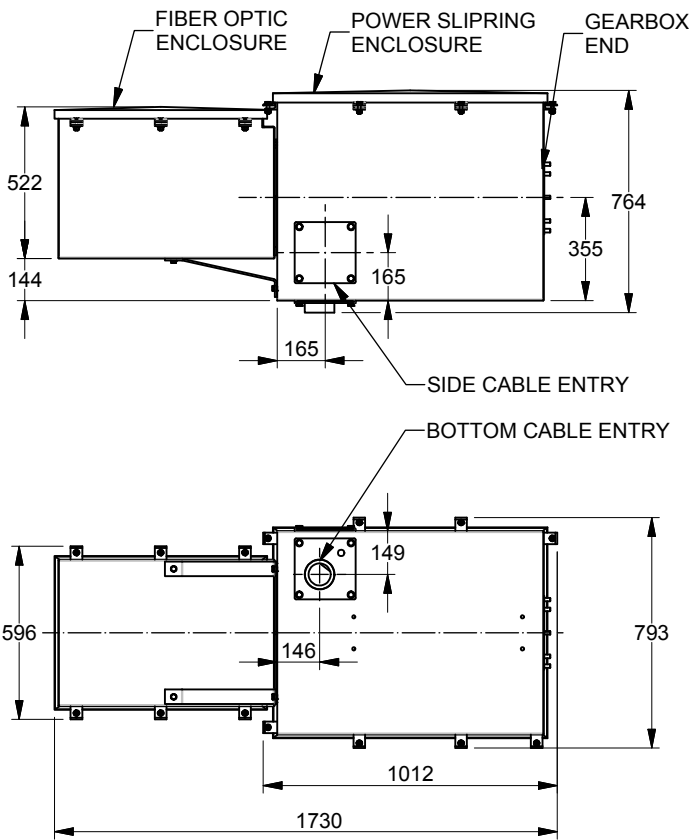


FEATURE	CODE
Enclosure Stainless 304	EN4
Voltage [kV]	0610KV
Number of Rings	4R5R
Fiber optic	FO

Example for ordering	EN4-0610KV-4R5R-FO
-----------------------------	---------------------------

TECHNICAL DATA

Material	SS304
Voltage [kV]	6 or 10
Number of rings	4 or 5
Weight [kg]	135



NOTES

All figures are nominal figures only
All dimensions are in millimeters

Document Template #710-101-62058

** ALL TECHNICAL DATA IS SUBJECT TO CHANGE WITHOUT NOTICE **
Hillmar works have a fully registered ISO 9001-2008 quality assurance programme (QCB #01-1525)

C:\Vault_Workspace\HILLMAR\PRODUCTION\06 CABLE REEL\CABLE REEL PART\0700-6\07006008 CRPRTS\02 SPC-SHT-CRPRTS\09 SJPR-FO-ENC\89175 EN4-0610K4-4R5R-FO.idw